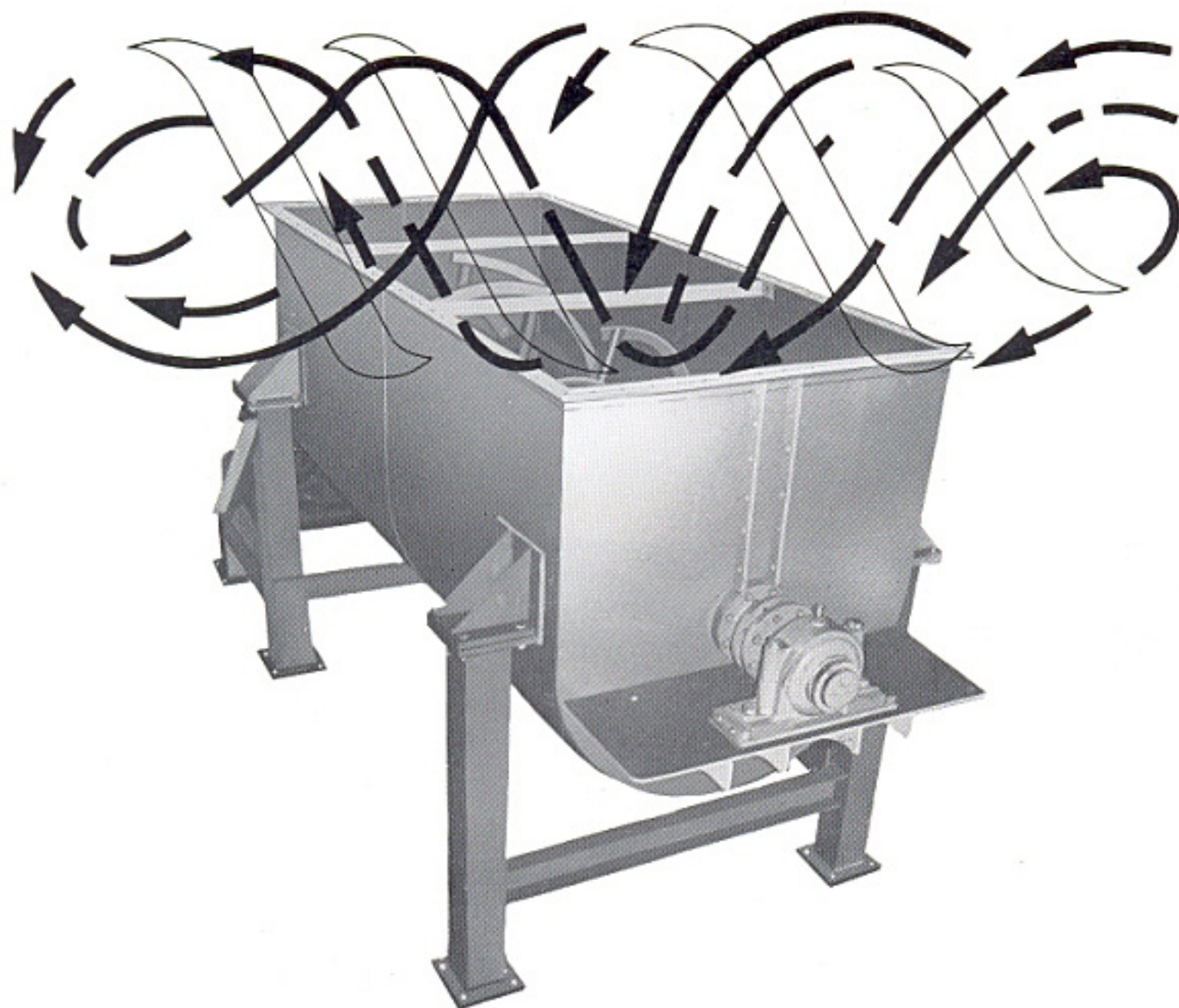


RIBBON BLENDER



Applications :

PESTICIDE FORMULATION PLANTS
FOOD & PHARMACEUTICAL
INDUSTRIES
CHEMICAL PLANTS
MINERALS
ALUMINA
MANY OTHER APPLICATIONS.

Mixing :

Materials with widely varying densities can be mixed with high Mixing Efficiencies in a remarkably short time.

Perfect distribution of even smallest quantities added is effected and final product homogeneity assured.

Special Features :

In addition to mixing, shearing action in the interface provides mild kneading. Designed such that outer Ribbon conveys from end towards centre, whereas inner conveys from centre towards end. Jacketed designs available for heating or cooling. Outboard bearings and stuffing box for eliminating product contamination.

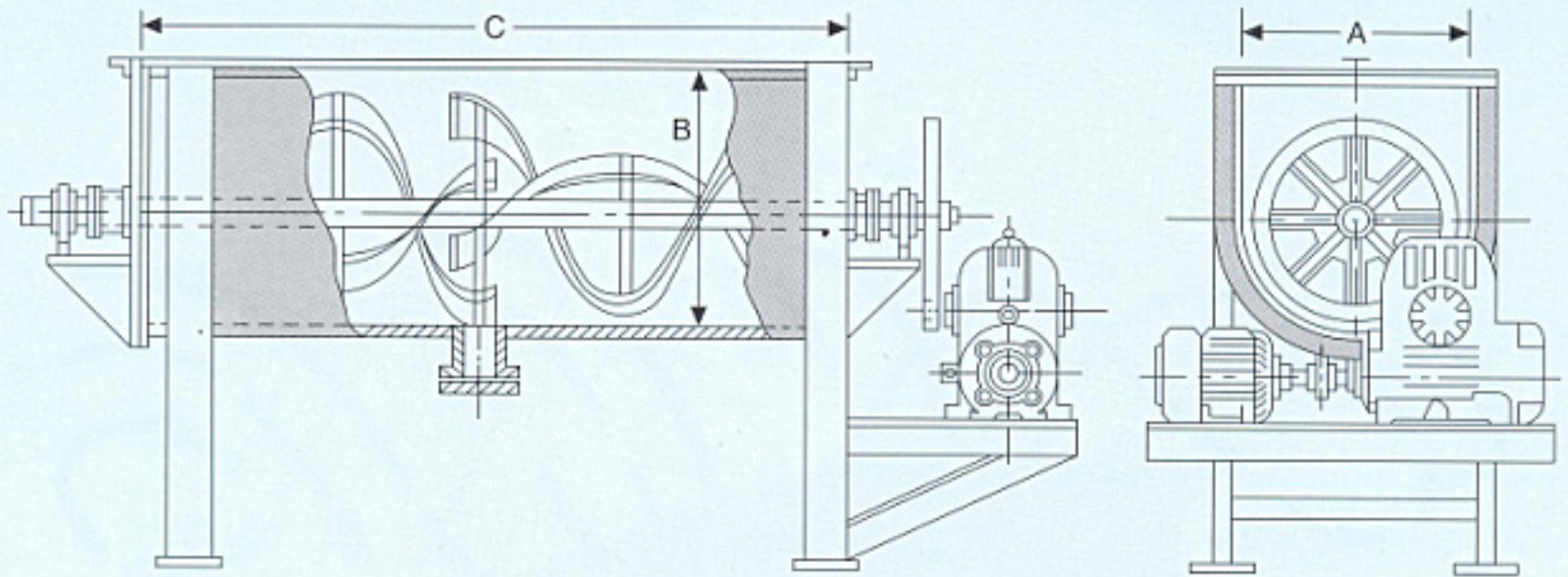
Rugged Construction :

Fabricated from heavy gauge MS or any other material of construction like SS 304, SS 316. Designed for maximum mixing Efficiency in leakproof construction. Built for longer trouble free service.

Wide Range of Models :

Available in a range from a small 400 ltrs. To 9900 ltrs. Volumetric capacities to suit specific applications. Tailor made designs also available.

RIBBON BLENDER (TYPE 'U')



SR. NO.	SIZE NO.	WORKING VOLUME		FULL VOLUME		A (INSIDE) mm	B (INSIDE) mm	C (OUTSIDE) mm	*H.P.	SPEED RPM
		(CFT)	(Cu.M)	(CFT)	(Cu.M)					
1	U-03	10	0.3	14	0.40	500	600	1500	3 TO 5	56
2	U-05	20	0.5	27	0.75	600	750	1800	5 TO 10	48
3	U-10	35	1.0	45	1.27	800	950	1800	7.5 TO 15	38
4	U-15	50	1.5	65	1.84	900	1050	2000	10 TO 20	32
5	U-20	70	2.0	90	2.55	1050	1200	2000	15 TO 30	28
6	U-30	100	3.0	120	3.34	1050	1200	3000	20 TO 30	26
7	U-45	150	4.5	185	5.24	1350	1500	3000	30 TO 50	24
8	U-55	200	5.5	235	6.65	1500	1650	3000	40 TO 60	21
9	U-70	250	7.0	300	8.5	1500	1650	4000	40 TO 60	18
10	U-85	300	8.5	350	9.9	1650	1800	4000	50 TO 75	18

Note : *HP selection will be based on material characteristics.

Optional drive with chain and sprocket provided up to U-30 model.

As improvements are made from time to time the specifications and dimensions in the brochure are subject to change without notice.