



Rotary Airlock Valves

RIECO ROTARY AIRLOCK VALVES are designed for process industries and provide an ideal solution for feeding materials under pressure or vacuum with perfect sealing in gas, air or for discharge purpose.



Features:

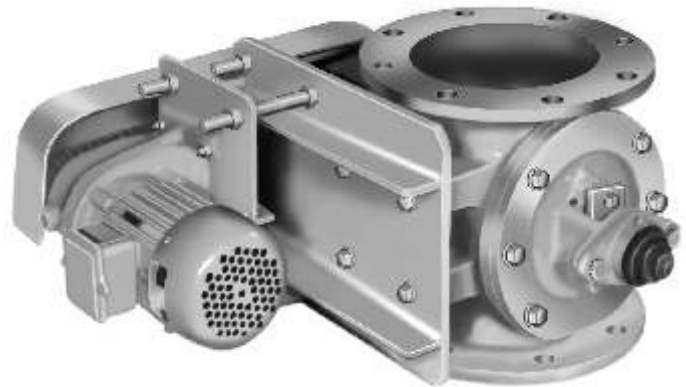
- ◆ Various combinations of Rotor Vanes to suit applications.
- ◆ Precision Engineered to provide minimum clearance between Rotor and Housing and thus minimum leakage.
- ◆ Available in different sizes from 200 mm Ø to 800 mm Ø
- ◆ Up to 450 mm Ø Valves are available in Cast Construction

Material of Construction:

- ◆ CAST IRON
- ◆ ALLOY CAST IRON (with hardness upto 350 BHN)
- ◆ SS 304
- ◆ SS 316

Application:

- ◆ Discharge Point of Silos
- ◆ Discharge Point of Cyclones/Bag Filters
- ◆ Regulated Discharge
- ◆ Feeding in Pressure/Vacuum Type Pneumatic Conveying Systems



TYPES OF ROTARY AIRLOCK VALVES

TYPE OF ROTORS

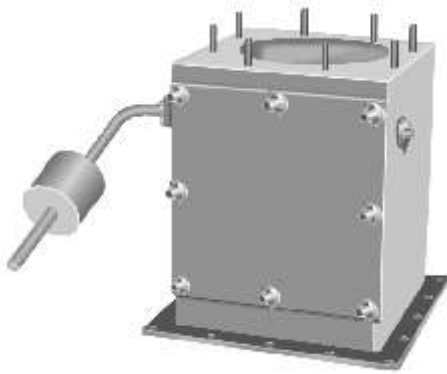
DRIVES

Type AL	Suitable for Differential Pressure Up to 4000 mm WG
Type PN	Suitable for Differential Pressure Up to 1 Kg / cm ²
Type RF	Specially designed for handling of Lumps / Chips with Differential Pressure Up to 1 Kg / cm ²

6 / 8 / 10 Vane fabricated (Also with replaceable Blades)
6 / 8 / 10 Vane cast Rotors

Geared Motors - Direct Coupled or Through Chain and Sprocket
Motor with Gear Box
Variable Speed Drives like Eddy Current Drives Frequency Converter Unit Econoline Pulleys

Flap Valve



RIECO FLAP VALVE is a simple, economic way to remove dust from hoppers. It consists of a housing containing one stationary and one movable flap. Which meet to form a 45 degree angle. A counter weight holds the moveble flap in place. Dust from the hopper, accumulates in the collecting area formed by the flaps. When the weight of the dust collected between the flaps is greater than the counterweight, the moveble flap is pushed aside and the dust is released.



RIECO SINGLE FLAP VALVE is fabricated in MS / SS 304 / SS 316 material. It features a removable level arm, bronze bearing and service port.

In **Double Flap Valve**, dust from the top flap valve is released to the flap valve below it. The double flap valve assures that a minimum of gas or air is released to the atmosphere.

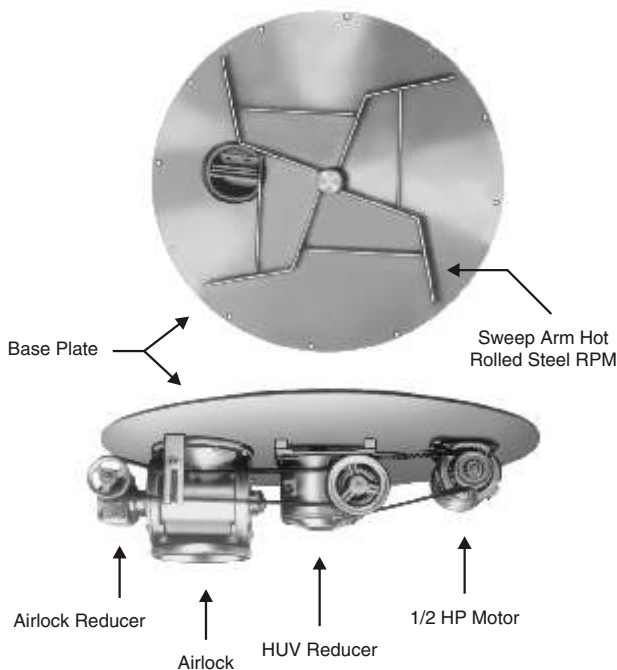
Motorized Double Flap Valves are also available.

Horizontal Unloading Valve (HUV)

RIECO HORIZONTAL UNLOADING VALVE consists of a hot-rolled steel plate and a sweep arm. The rotating arm sweeps the material through an opening directly into the vane pockets of the RIECO AIRLOCK.

It is widely used where Low hopper heights are required and with materials that have a tendency to bridge. It permits the use of hoppers where limited space is available and eliminates the use of bin vibrators.

Model - 39 has a 39 inch sweep plate. Model - 48 has a 48 inch sweep plate. Both models are supplied with an 8 inch **RIECO AIRLOCK** in MS / SS 304 / SS 316 / Alloy Cl. 0.5 HP motor drives the **HUV** and airlock reducers, which in turn operate the HUV and the Airlock.



RIECO INDUSTRIES LTD.

1162/2, Shivajinagar, Behind Observatory, Pune - 411 005 (INDIA)
 Phones : 91-20-25535384, 25535215 Fax : 91-20-25533229
 E-mail : rieco@rieco.com / s_pune@rieco.com Website : www.rieco.com

Regional Offices at : • Mumbai • New Delhi • Kolkata • Chennai

